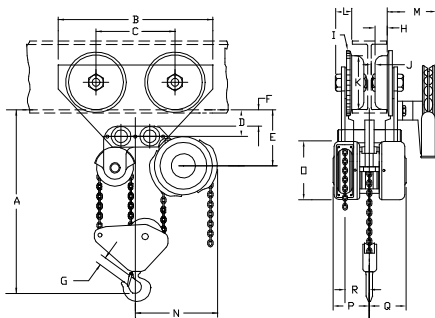


SPARK RES'T. UNIT

A	25 1/4"
B	19 1/2"
C	10"
D	3 17/32"
E	9 5/16"
*F	1 5/8"
G	2 1/4"
H	1 13/32"
I	9"
J	1 1/32"
K	7 3/16"
L	2 9/16"
*M	8 5/8"
N	12 3/16"
O	9 3/4"
P	5"
Q	5"
R	3 1/4"



* Applies to geared units only
 ** At closest point of contact
 This unit is adjustable from 4 5/8" - 8" f.w.
 Dimensions shown are accurate for
 "S" & "W" beam shapes

THIS DRAWING SUPPLIED FOR DIMENSIONAL PURPOSES ONLY
 VISUAL DETAILS MAY VARY SLIGHTLY FROM UNIT SUPPLIED
 HOWEVER DIMENSIONS SHOWN APPLY

		6 TON ARMY TYPE HOIST	DR. RLB	TR.	CK.	AP.
		CHESTER HOIST	SCALE	NONE	DATE	9/11/07
		LISBON, OHIO	REF. DWG. NO.			
NO.	REVISIONS	CK-DATE	Dwg. No. CN214			