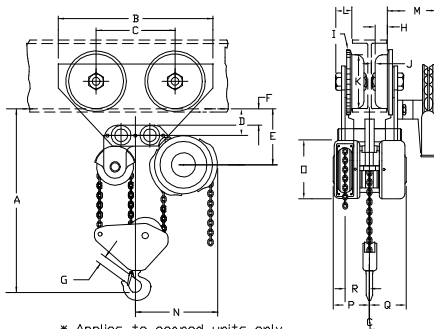


# SPARK RES'T. UNIT

- A 24 3/4'
- B 19 1/2'
- C 10"
- D 3 17/32'
- E 9 5/16'
- \*\*F 1 5/8'
- G 2 7/32'
- H 1 13/32'
- I 9"
- J 1/32'
- K 7 3/16'
- L 2 9/16'
- \*M 8 5/8'
- N 12 3/16'
- O 9 3/4'
- P 5"
- Q 5"
- R 3 1/4'



\* Applies to geared units only  
 \*\* At closest point of contact  
 This unit is adjustable from 4 5/8' - 8' f.w.  
 Dimensions shown are accurate for  
 "S" & "W" beam shapes

THIS DRAWING SUPPLIED FOR DIMENSIONAL PURPOSES ONLY  
 VISUAL DETAILS MAY VARY SLIGHTLY FROM UNIT SUPPLIED  
 HOWEVER DIMENSIONS SHOWN APPLY

		5 TON ARMY TYPE HOIST	DR. RL B	TR.	CK.	AP.
		CHESTER HOIST LISBON, OHIO	SCALE NONE		DATE 9/11/07	
			REF. DWG. NO.			
REV.	REVISIONS	CK-DATE	Dwg. No. CN213			