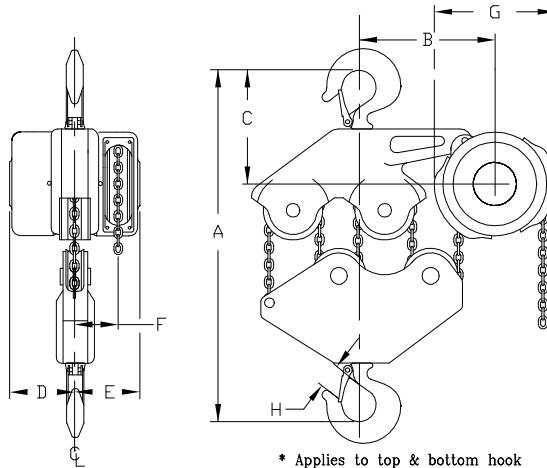


- A 34 1/4"
- B 10 1/4"
- C 13 1/2"
- D 5"
- E 5"
- F 3 1/4"
- G 11 1/2"
- \* H 3 1/32"

# SPARK RES'T. UNIT



\* Applies to top & bottom hook

THIS DRAWING SUPPLIED FOR DIMENSIONAL PURPOSES ONLY  
VISUAL DETAILS MAY VARY SLIGHTLY FROM UNIT SUPPLIED  
HOWEVER DIMENSIONS SHOWN APPLY

10 TON HOOK TYPE ZSGH

CHESTER HOIST  
LISBON, OHIO

DR. RLB	TR.	CK.	AP.
SCALE NONE		DATE 11/1/07	

REF. DWG. NO.

Dwg. No. CN174

MK.	REVISIONS	CK-DATE
-----	-----------	---------