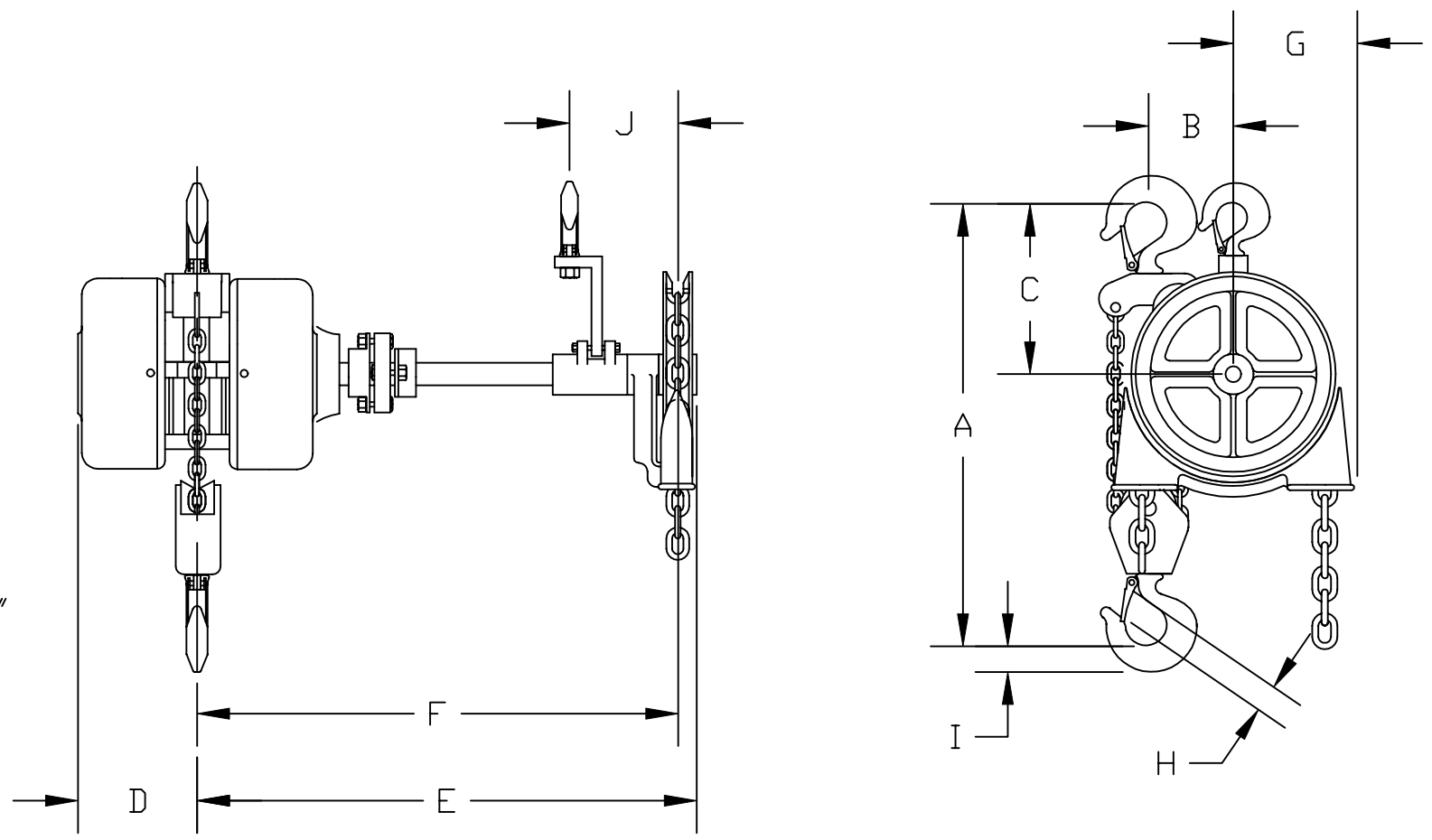


- A 23 1/2"
- B 4 7/8"
- C 9 1/8"
- D 5"
- E 38 1/2"
- F 36"
- G 6 3/4"
- \* H 1 11/32"
- \* I 1 7/16"
- J 6 1/2"



\* DIM. FOR TOP & BOTTOM HOOK

|     |           |         |
|-----|-----------|---------|
|     |           |         |
|     |           |         |
|     |           |         |
|     |           |         |
| MK. | REVISIONS | CK-DATE |

3 TON  
EXTENDED HAND WHEEL HOIST  
**CHESTER HOIST**  
LISBON, OHIO

|                |     |              |     |
|----------------|-----|--------------|-----|
| DR. RLB        | TR. | CK.          | AP. |
| SCALE NONE     |     | DATE 6-19-00 |     |
| REF. DWG. NO.  |     | 3EXT         |     |
| Dwg. No. CD032 |     |              |     |