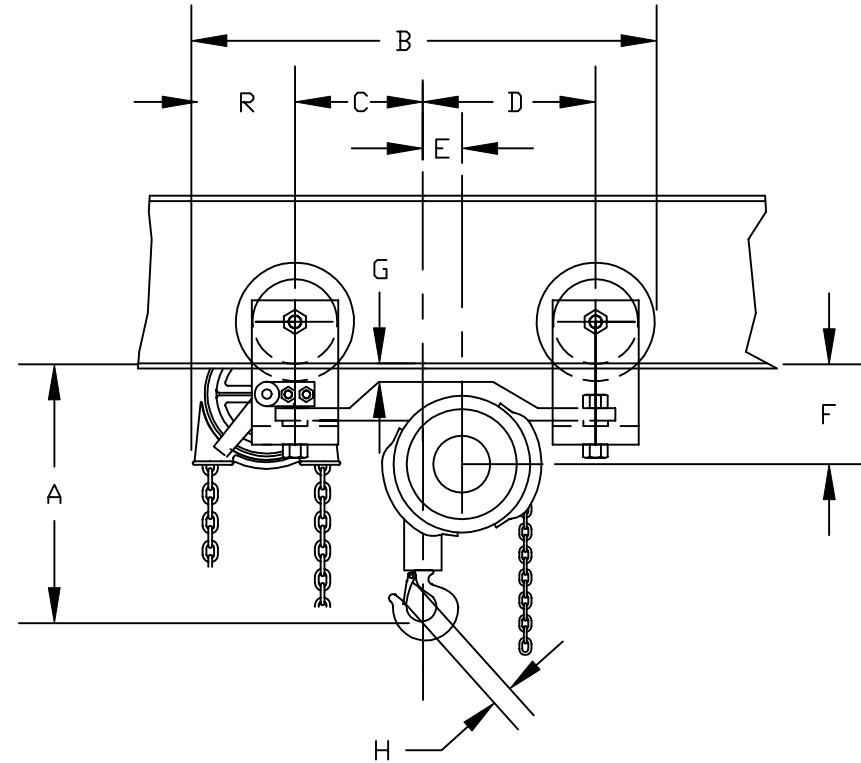
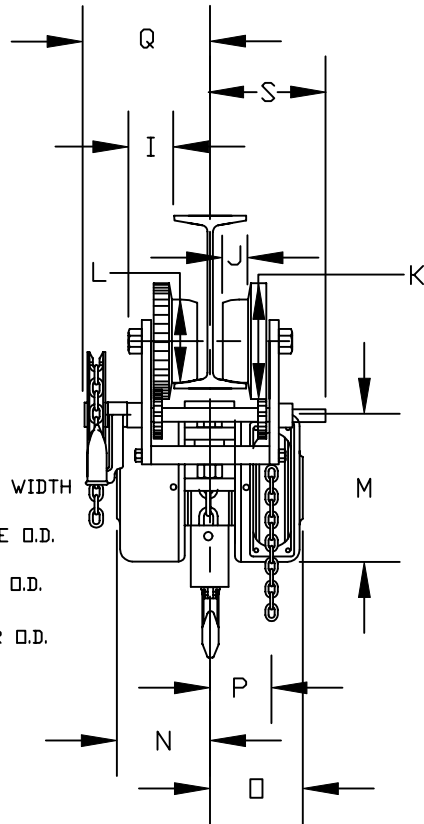


- A 11 1/8"
- B 21 7/8"
- C 6 1/8"
- D 8 5/8"
- E 1 3/8"
- F 4 13/16"
- G 7/8"
- H 1"
- I 2 1/16"
- J 7/8" TREAD WIDTH
- K 4" FLANGE O.D.
- L 2 7/8" TREAD O.D.
- M 7 1/4" COVER O.D.
- N 4 1/4"
- O 4 1/4"
- P 3"
- Q 8 9/16"
- R 5 1/4"
- S 4 7/8" (END OF TROLLEY DRIVE SHAFT) BELOW BEAM.



UNIT IS ADJUSTABLE FROM S4"x7.7# THROUGH S10"x25.4# BEAM
 CUSTOMER MUST TAKE INTO CONSIDERATION FLANGE WIDTH AND THICKNESS.
 * DIM. TO WHEEL RUNNING SURFACE

MK.	REVISIONS	CK-DATE

1/4 & 1/2 TON ARMY TYPE GEARED TROLLEY
 HOIST

CHESTER HOIST
 LISBON, OHIO

DR. RLB	TR.	CK.	AP.
SCALE NONE		DATE 6-19-00	
REF. DWG. NO. AGCL30			
Dwg. No. CD038			